



ILK Compact Cantilever Lift ***2000 and 2200 CAPACITY***

Interlift's unique design and compact construction allows for larger platform sizes and safer operation on low bed height trucks. Created to serve as your liftgate, rear door and adjustable dock plate, they are built for years of hard labor under the severest conditions. Whatever the terrain, Interlift's adjustable platform will ensure safe and smooth handling.

The ILK-Compact series incorporates performance features such as:

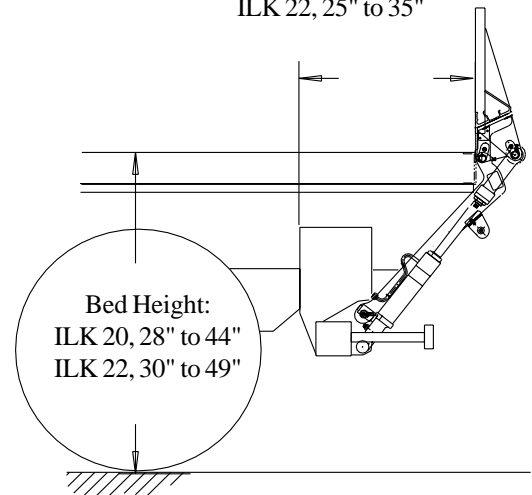
- u A solid state, pre-wired plug in control system offering state of the art operation, improved reliability and faster installation times.
- u Our improved thermo protected power pack offers increased performance at a considerable cost saving.
- u Our platform is 100 % welded and designed for the best corrosion resistance in the industry.
- u From the integration of the quality components in all of our models we are able to minimize parts and provide the best possible part support.



This liftgate is designed for the new low profile trucks with short overhangs and rear fuel tanks. Platform has 105 degree tilting capability. It can ramp to a different dock height or maintain level in uneven terrain throughout the cycle.

- u Our wide lift arm clears pintle hitches and allows installation on most frames without any modifications.
- u Mount frames are pre-assembled with the under ride guard and control box already pre-wired. This insures a fast quality installation.
- u The superior engineering of the ILK allows for maximum capacities and larger usable load areas.
- u The sturdy 4 cylinder hydraulic system is standard with cylinder locks placed directly at the port of cylinder restricting pressure to the cylinder itself. This provides you the safest, most stable liftgate available since the platform is prevented from lowering unless the controls are activated.

Mount Clearance:
 ILK 20, 20" to 29"
 ILK 22, 25" to 35"



- u Lockable control boxes are pre-wired and tested. We offer three different control stations; side control, hand held remote and optional foot controls in platforms.
- u The added safety and convenience of the automatic leveling allows the platform to find the pre-set horizontal position on its own as well as tilt down at ground only if the operator is still activating the controls. With this feature the operator does not need to adjust the tilt angle manually.

- u Our ground roller is standard on the ILK 22 and optional on the ILK 20, this eliminates wear on clevis and platform components when platform touches the ground, maximizing your investment by reducing maintenance costs.



- u The pre-mounted power pack is fully enclosed in our mount tube. This enables fast installation and easy inspection. The lockable mounting system safely keeps the power pack out of harms way. By using thermo-protected components of aerospace quality we insure our customers minimum maintenance and down time.



LIFTGATE OPTIONS:

- *Carts stops
- *Flip up door
- *Aluminum platforms
- *Aux. truck and trailer kit
- *Foot controls
- *Swing door kit
- *Full door seal kit
- *102" wide platforms (ILK 22 only)

Model	Lifting Capacity (Lbs.)	Platform Size Height	Platform Width (Inches)	Bed Height (Inches)	Approx. Weight (Lbs)	Mount Clearance
ILK 20	2000	48	94	28 to 44	580	20 to 29
ILK 22	2200	48, 60	94, 98	30 to 49	690	25 to 35

Sold By: Cliffside Body Corp. 130 Broad Avenue Fairview, NJ 07022 Phone: 201-945-3970 www.CliffsideBody.com

Interlift Inc.

Tel (888) 774-5844

Fax (562) 924-8318