

L-21 SPECIFICATIONS

Moment Rating:

6000 Ft. - Lbs.

Lift Capacities:

2000 lbs. @ 3 ft.

1500 lbs. @ 4 ft.

1200 lbs. @ 5 ft.

1000 lbs. @ 6 ft.*

850 lbs. @ 7 ft.*

*When equipped with optional boom

Boom:

Standard length 3' to 5' Telescopic

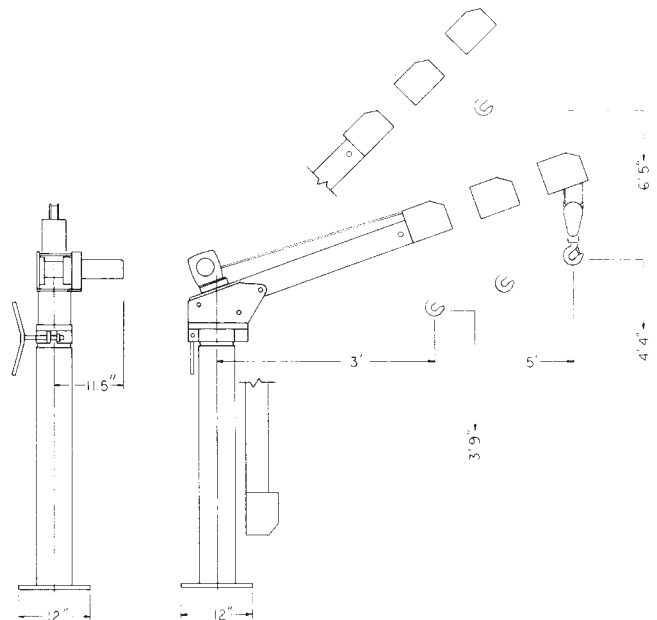
Optional length 3'3" to 7'3" Telescopic

Two lifting positions at 20° and 45°

Lowers to vertical position for traveling.

Winch:

Planetary gear drive with permanent magnet motor.



Performance

| Load (Pounds) | Hook Speed (Feet Per Minute) | Electrical Load (Amperes) |
|------------------|---------------------------------|------------------------------|
| 0 | 18.5 | 20 |
| 1000 | 12.7 | 63 |
| 2000* | 6.3 | 65 |

*Use traveling block for double line hookup.

Winch is controlled by two solenoids providing forward and reverse operation.

Winch Cable:

$\frac{3}{16}$ " Galvanized Aircraft \times 25' long (4200 lb. breaking strength) is supplied with snatch block.

Remote Pendant:

Control is 12 ft. long and removable from the crane for safety. A momentary contact switch controls winch forward and reverse. A 20' long control cord is available.

Battery Cable:

25' of cable supplied with quick disconnect at crane and 3' long battery ground wire and 150 amp circuit breaker.

Rotation:

360° with band brake to control swing. The crane rotates on two tapered roller bearings.

Mounting:

4 - $\frac{1}{2}$ " \times $2\frac{1}{2}$ " Grade 8 bolts are supplied. Crane mounts on $9\frac{1}{2}$ " square bolt pattern. Base plate is 12" \times 12".

Optional Accessories:

30328 Jack Stand

30330 Drum Tongs

Weight:

L-21—360 lbs.

L-21-7—375 lbs.



LIFTMOORE, INC.
 11505 Todd
 Houston, Texas 77055
 FAX (800) 824-5559 (USA & Canada)
 FAX (713) 688-6324
 (713) 688-5533

Sold By:
 Cliffside Body Corp.
 130 Broad Avenue
 Fairview, NJ 07022
 Phone: 201-945-3970
 www.CliffsideBody.com