

L-15 SPECIFICATIONS

Moment Rating:

4500 Ft. - Lbs.

Lift Capacities:

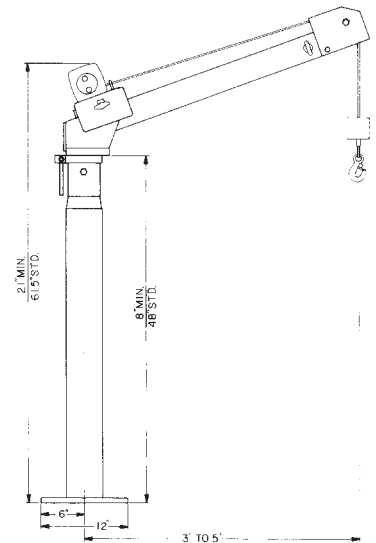
1500 lbs. @ 3 ft.
 1125 lbs. @ 4 ft.
 900 lbs. @ 5 ft.

Boom:

Manual telescopes from 3' to 5' with intermediate position at 4'.

Winch:

Planetary gear with permanent magnet motor.



Performance		
Load (Pounds)	Hook Speed (Feet Per Minute)	Electrical (Amperes)
0	18.5	20
1000	12.7	63
1500	9.8	85

Winch is controlled by two solenoids providing forward and reverse operation.

Winch Cable:

$\frac{3}{16}$ " Galvanized Aircraft \times 25' long (4200 lb. breaking strength) is supplied.

Remote Pendant:

Control is 12 ft. long and removable from the crane for safety. A momentary contact switch controls winch forward and reverse. A 20' long control cord is available.

Battery Cable:

25' of cable supplied with quick disconnect at crane and 3' long battery ground wire and 150 amp circuit breaker.

Rotation:

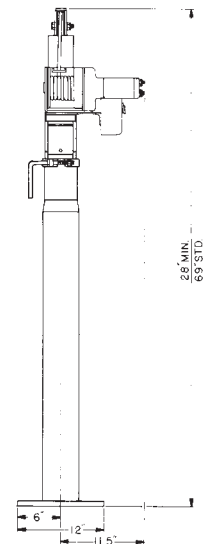
The crane rotates on two tapered roller bearings through a complete 360° rotation.

Mounting:

4 - $\frac{1}{2}$ " \times $2\frac{1}{2}$ " Grade 8 bolts are supplied. Crane mounts on $\frac{9}{16}$ " square bolt pattern. Base plate is 12" \times 12".

Optional Accessories:

30328 Jack Stand
 30330 Drum Tongs



LIFTMOORE, INC.
 11505 Todd
 Houston, Texas 77055
 FAX (800) 824-5559 (USA & Canada)
 FAX (713) 688-6324
 (713) 688-5533

Sold By:
 Cliffside Body Corp.
 130 Broad Avenue
 Fairview, NJ 07022
 Phone: 201-945-3970
 www.CliffsideBody.com