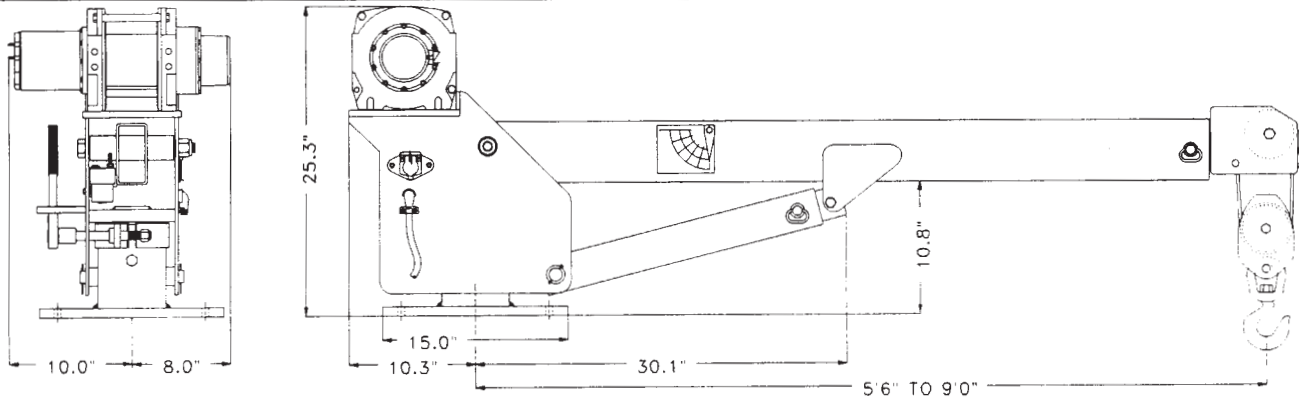


Model 2000A



Crane Specifications

Moment Rating:

6,000 Ft.-Lb.

Lift Capacities:

2000 lbs. @ 3 Ft.

1200 lbs. @ 5 Ft.

1000 lbs. @ 6 Ft.

857 lbs. @ 7 Ft.

660 lbs. @ 9 Ft.

Use double winch line above 1600 Lbs.

Boom:

Standard length 5.5 Ft. manually telescoping to 9 Ft. with an intermediate stop.

Winch:

Efficient three stage planetary gear drive powered by 12 volt D.C. permanent magnet motor. Winch is controlled by 12V D.C. contactor controlling hoist up and down. Winch drum to wire rope ratio meets ANSI requirements.

Winch Performance (First Layer):

Performance		
Load (Pounds)	Hook Speed (Ft. Per Minute)	Electrical Load (AMPS)
0	17	30
800	15	65
1,600	13	105
2,000*	7	75

Use double winch line above 1600 Lbs.

Winch Wire Rope:

Supplied with 1/4" Galvanized Aircraft Cable 40 Ft. long. Breaking strength of cable is 7,000 Lbs. A traveling block is supplied for use with the two part line required for loads above 1600 Lbs.

Rotation:

Rotation is 360 degree limited. Crane rotates on tapered roller bearing for smooth, long lasting operation. Manual rotation with band brake to help control swing.

Remote Pendant:

The hoist winch is controlled by a 12 Ft. long remote pendant control. Switch is momentary contact. The pendant control is removable from the crane.

Load Sensor (Optional):

A load sensor switch can be installed to stop winch up movement when an overload condition is detected.

Power Cable:

25 Ft. of battery power cable with quick disconnect, 150 Amp circuit breaker, and battery ground wire is included.

Mounting:

Four 1/2" Grade 8 bolts and nuts are supplied. Crane mounts on a 15" square base plate with 12" square bolt pattern.

Optional Accessories:

38030 Manual Pull Out, Crank Down Outrigger - 89" Body

38428 Manual Pull Out, Crank Down Outrigger - 94" Body

30328 Jack Stand, Over Centering

30330 Drum Tongs

30681 Pedestal for Pickup Bed

30682 Pedestal for Flat Bed Truck

31745 Load Sensor

30679 Boom Rest

Weights:

2000A:

Actual 365 Lbs.

Shipping 430 Lbs.



LIFTMOORE, INC.

11505 Todd

Houston, Texas 77055

FAX (800) 824-5559 (USA & Canada)

FAX (713) 688-6324

(713) 688-5533